

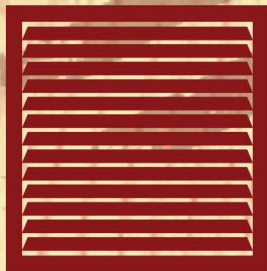


# BEECHCRAFT PRODUCTS

est. 1958



*Sunbursts*



*Louvers*



*Crosses*



*Divided*



*Circles*

We manufacture custom size:

- **Wood Doorlites**
- **Chevron Louvers**
- **Flat-Slat Louvers**
- **Plant Mouldings**
- **Insulated Glass**

...for all types of doors

We also offer:

- **PVC Frames**
- **Internal Muntins**
- **Removable Grilles**

**CUSTOM  
MILLWORK  
AVAILABLE!**

1100 N. Saginaw Street Durand, MI 48429

Orders: 800-968-5099 Office: 989-288-2606 Fax: 989-288-4718

[www.BeechcraftProducts.com](http://www.BeechcraftProducts.com)

**2023**



## **Introducing : The "H" Frame Louver**

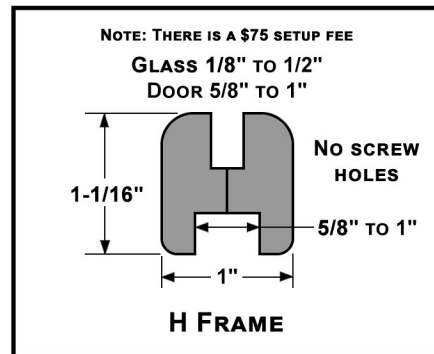
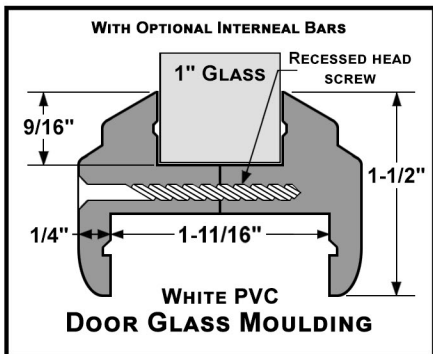
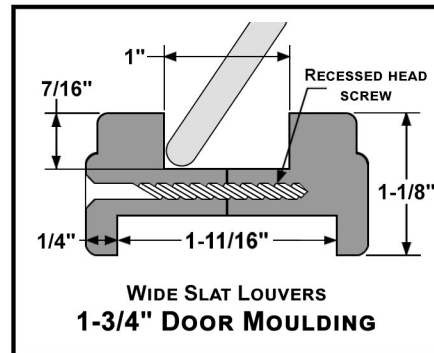
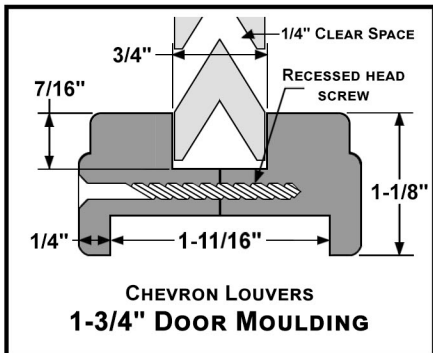
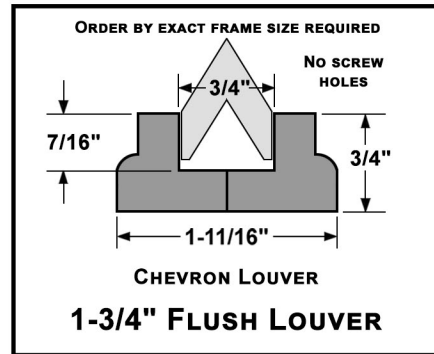
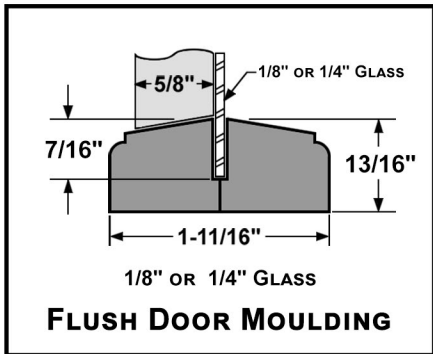
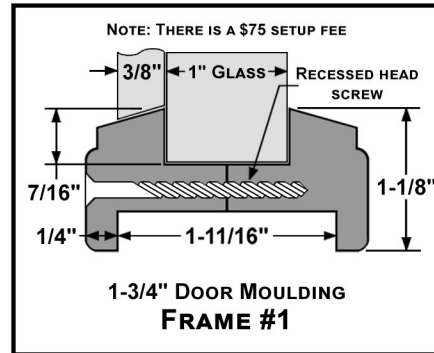
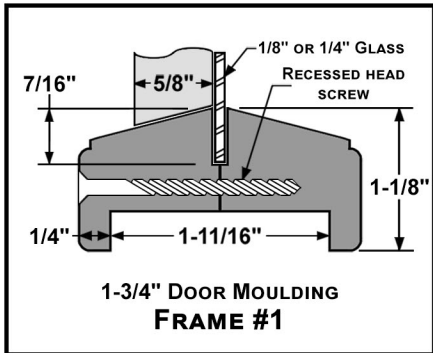
**The Cost Effective & Stylish Alternative for Wooded Bi-Fold Doors**

**Call Us or Visit Our Website Now!**

### **Features & Benefits**

- **Custom adjustable door thicknesses from 5/8" to 1"**
- **The "H" Frame Louver is offered as an attractive and fully customizable option to the non-descript screw-in metal louver, which often leaves the finished project looking cheap and less desirable**
- **Available in 3 configurations of louvers**
  - **Chevron Louver – Provides sight and sound interruption all while offering approximately 35% free air space**
  - **Flat Slat Louver – Provides an aesthetic flat appearance for more air exchange with approximately 50% free air space with a 3/32" line of sight overlap**
  - **Plantation Style Louver – Provides that "Southern Charm" look with approximately 60% free air space with an 1/8" line of sight overlap**
- **Offered in Red Alder and Paint Grade - Additional species available for large quantity orders (Red Oak, Maple and Mahogany)**
- **Stock and custom louver sizes available**
- **Pre-drilled holes and fasteners included for ease of installation**
- **Don't forget to check out our Free Air Space Calculator on our website to consider the different louver options**

## Doorlite & Louver Profile Diagrams



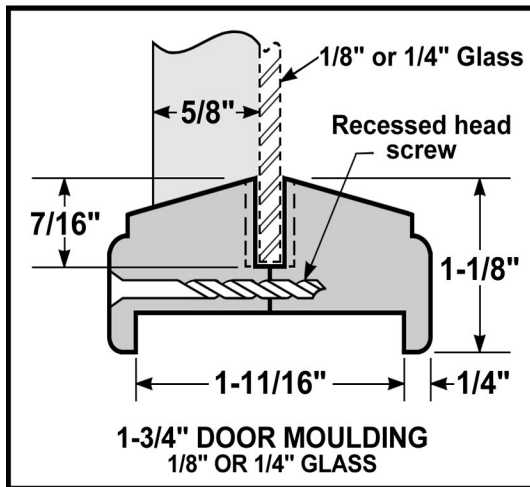
National Standard Door Thickness: 1-3/4" = 1-11/16"    1-3/8" = 1-5/16"

ORDERS: FAX (989)288-4718 • INQUIRIES: 1-800-968-5099 • EMAIL: info@beechcraftproducts.com

## Wood Doorlites

Made from our finest West Coast Red Alder

- Available in Poplar, Red Oak, Maple, and Mahogany upon request.
- Available in stock sizes with 1/8" tempered glass, 1/4" tempered glass, or 1/2" insulated glass (two pieces of 1/8" tempered glass).
- Also available in 1" insulated glass with Frame #1 profile frame.
- Available in door thickness of 1-3/4" or 1-3/8".
- National Standard Door Thickness:  
1-3/4" = 1-11/16"    1-3/8" = 1-5/16"
- Custom sizes available – ask for quote.



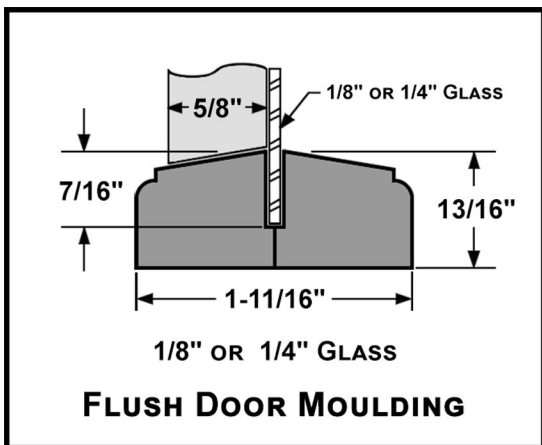
**\*NOTE:** Actual glass size is the order size. The cut-out is 1 inch larger.  
Visible glass size is 3/4" smaller than actual glass size.  
OSM of frame is 1-3/8" over actual glass/order size.

See stock sizes and pricing information on pages 9 & 10.

# Wood Doorlites - Flush Frame

## Made from our finest West Coast Red Alder

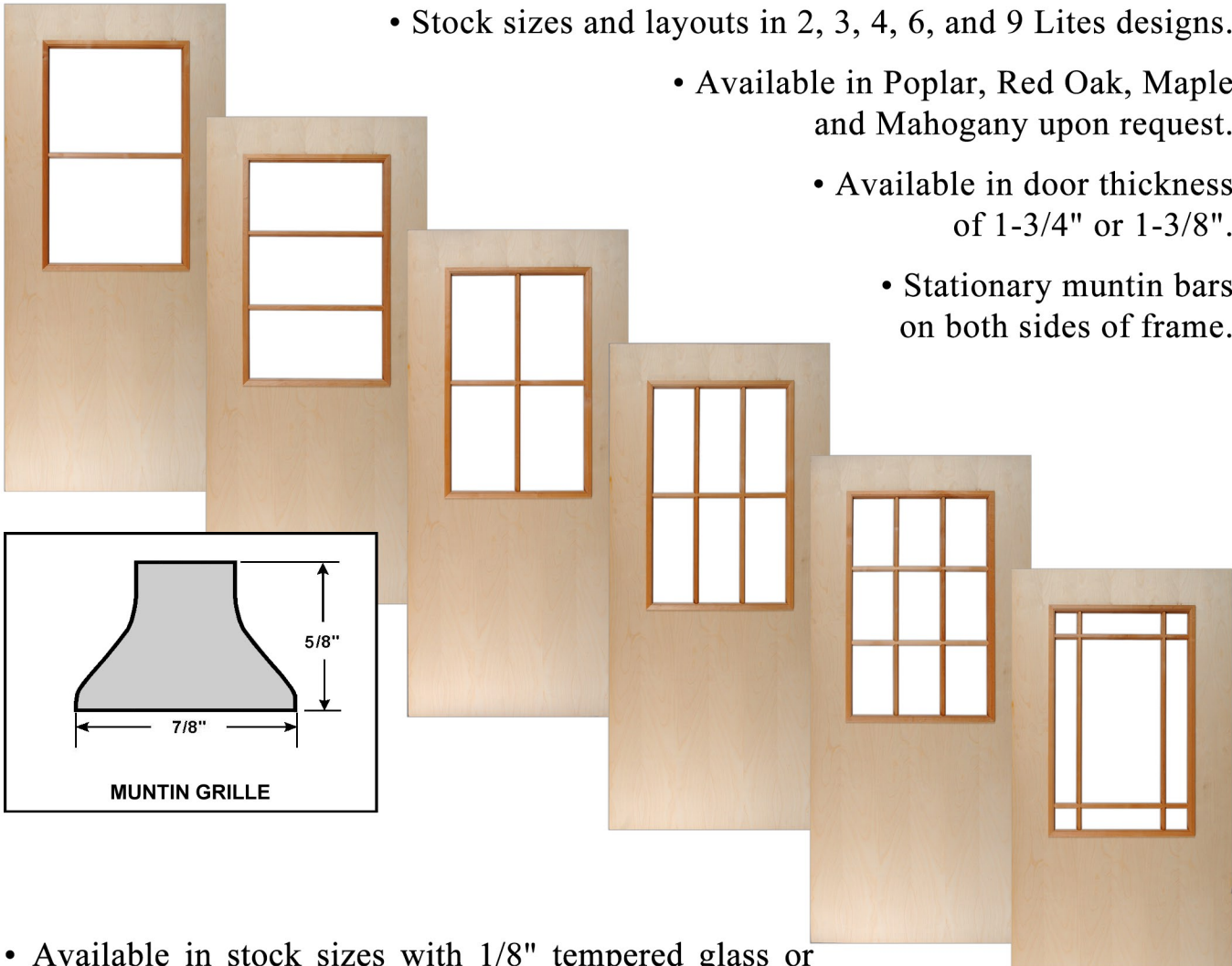
- Available in Poplar, Red Oak, Maple, and Mahogany upon request.
- Available in stock sizes with 1/8" tempered, 1/4" glass, or 1/2" insulated glass (two pieces of 1/8" tempered glass)
- Available in door thickness of 1-3/4".
- Now Available in 1-3/8" U-Frame with a \$75 setup fee.
- Order by actual OSM of frame.
- Actual glass size is 7/8" smaller than OSM of frame.
- Flush Frames are face-nailed into the door core. No screw holes.
- National Standard Door Thickness:  
 1-3/4" = 1-11/16"    1-3/8" = 1-5/16"
- Custom sizes available – ask for quote.



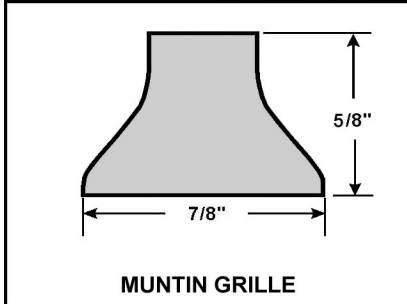
**\*NOTE: We do not recommend cutting the hole in the door until after receiving the Flush Frame to ensure a proper fit.**

## Divided Lites

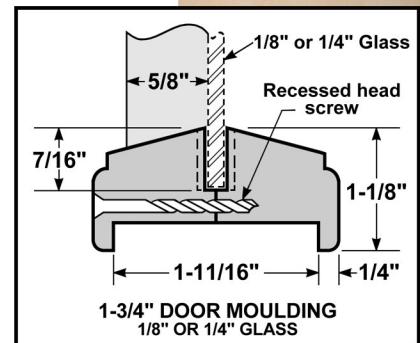
Made from our finest West Coast Red Alder



- Stock sizes and layouts in 2, 3, 4, 6, and 9 Lites designs.
- Available in Poplar, Red Oak, Maple and Mahogany upon request.
- Available in door thickness of 1-3/4" or 1-3/8".
- Stationary muntin bars on both sides of frame.



- Available in stock sizes with 1/8" tempered glass or 1/2" insulated glass (two pieces of 1/8" tempered glass).
- Custom sizes or designs available - ask for quote.



## Divided Lites

Made from our finest West Coast Red Alder

9/L Prairie



5 Lites



10 Lites



15 Lites

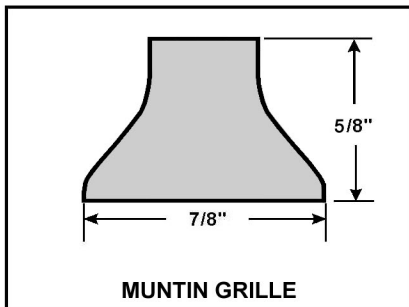


- Available in Red Oak, Poplar, Maple, and Mahogany upon request.
- Stock sizes with 1/8" tempered glass or 1/2" insulated glass.
- Please specify door thickness of 1-3/4" or 1-3/8".
- Cut out in door is 1" larger than order size.

### Available with...

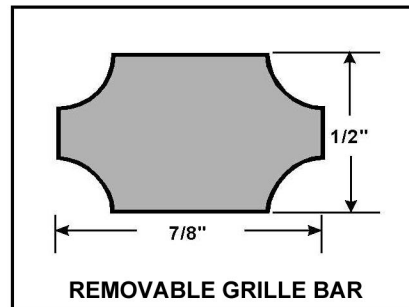
#### Stationary Grilles

Muntin Grille on both sides of frame.



#### Removable Grilles

One Removable Grille on inside frame.

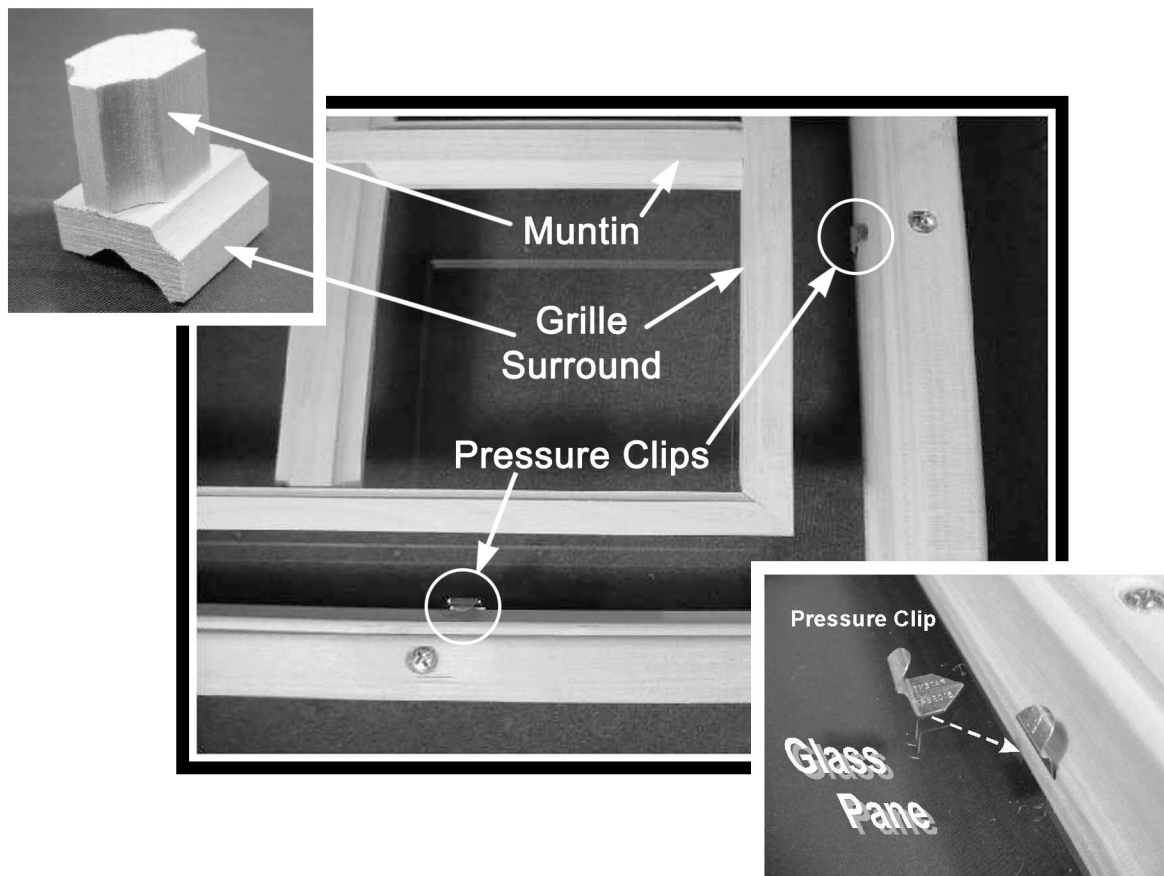


## Removable Snap-In Grille

to fit Beechcraft Lites  
(With pressure clips)

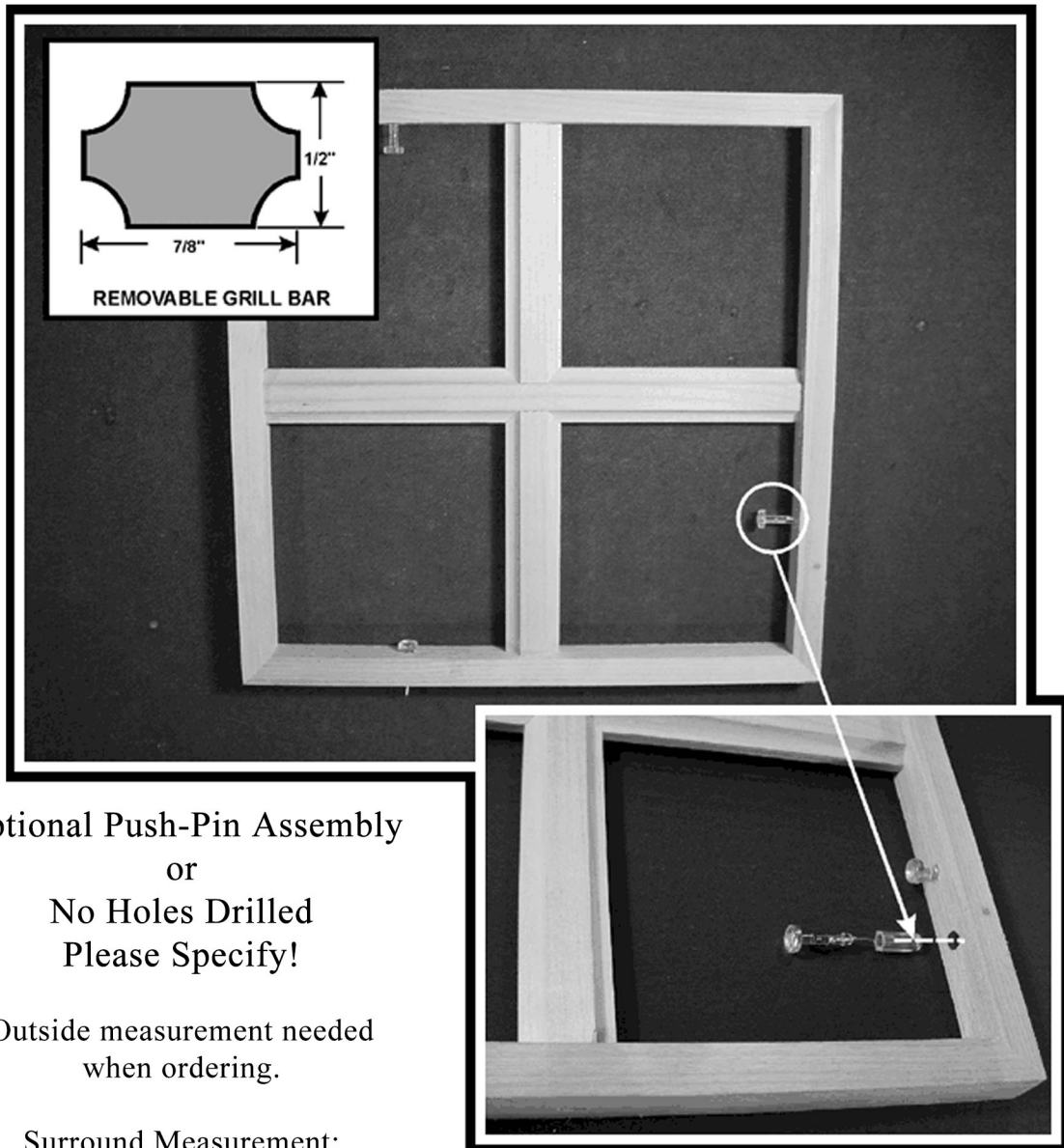
Removable grilles should be ordered at the same time that frame is being ordered to ensure best fit.

If grille is ordered separately, the door and glass thickness must be known at the time of the order.





## Removable Grille with Square Surround (For custom applications)



Optional Push-Pin Assembly  
or  
No Holes Drilled  
Please Specify!

Outside measurement needed  
when ordering.

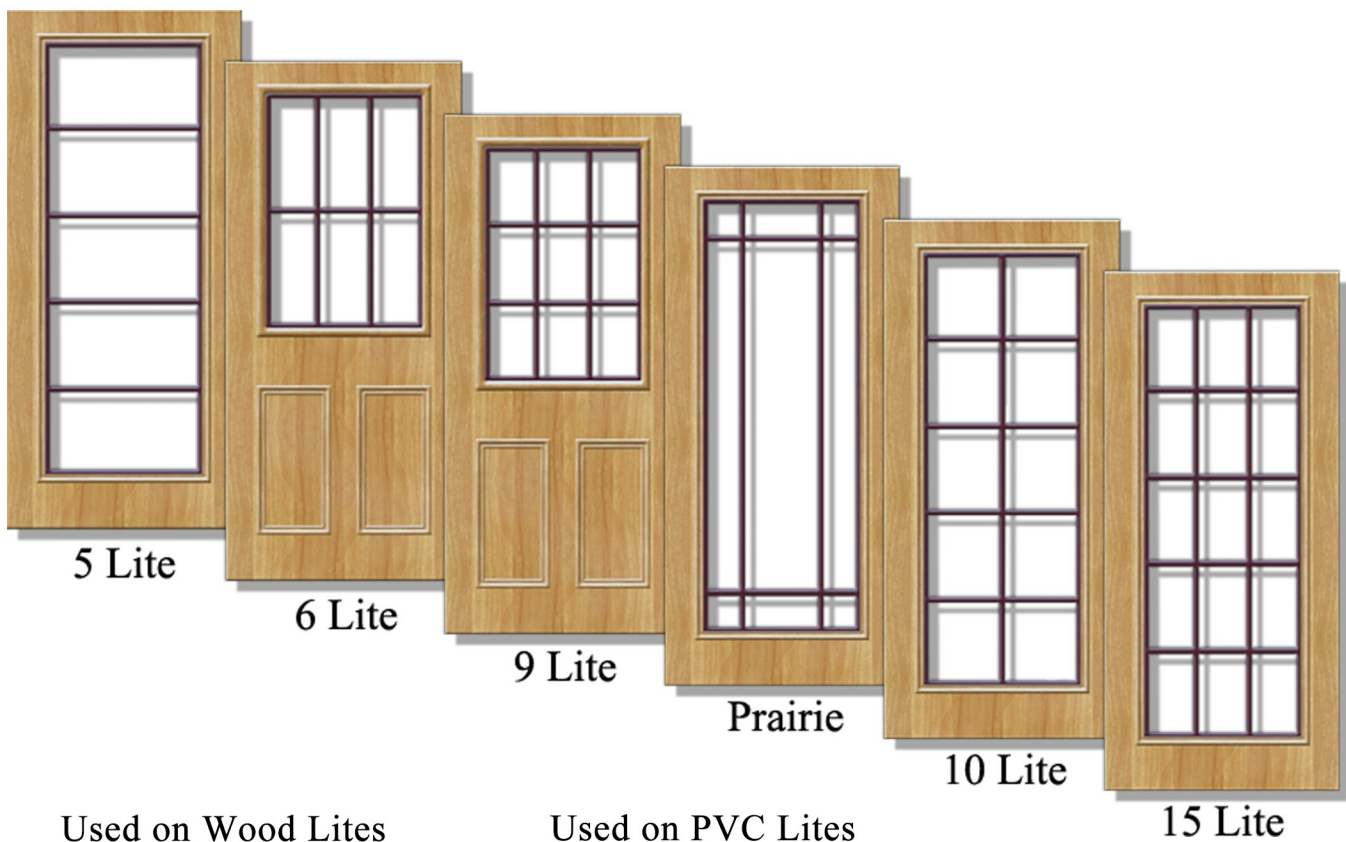
Surround Measurement:  
1/2" (w) x 5/8" (h)

Profile shown above is the only one used  
with all removable grille applications.

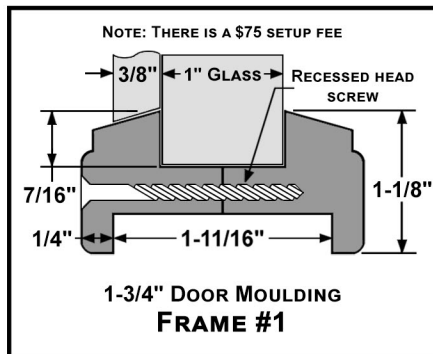
## Doorlites with Internal Muntins

### With your choice of Internal Bar Color

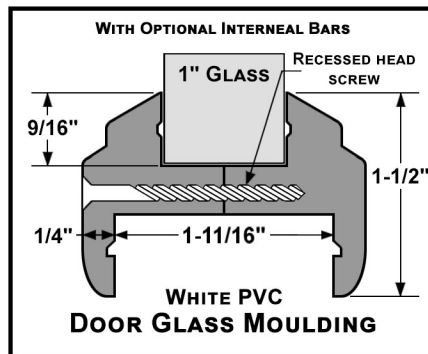
- Internal bar colors: White • Light Tan • Champagne (Taupe) • Bronze
- Internal Bars are 5/8" wide and smooth texture.
- Doorlite frames available in Red Alder or PVC.
- Available in Oak upon request.
- 1" insulated tempered glass.



Used on Wood Lites



Used on PVC Lites



# PVC Doorlites

**Made from Smooth White Polyvinyl Chloride  
 with 1" Insulated Glass**

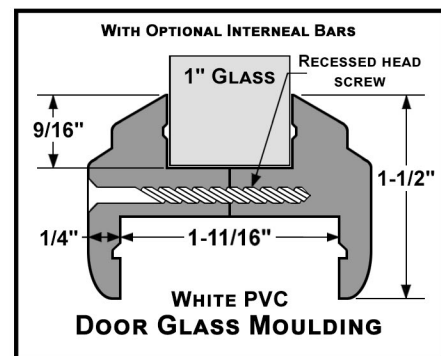
- PVC frames only fit 1-3/4" thick doors.
- Only available with 1" insulated glass.
- Actual Glass Size is the Order Size.
- Visible glass is 1" smaller than actual glass size.
- OSM is 2" over glass/order size.
- Cut out is 1" larger than order size.
- May be ordered with internal bars.



NOTE: PVC frames not recommended in direct sunlight or applications where heat build up may occur. Frame may be painted with light colored acrylic paint, however dark colors should be avoided as they may cause frame distortion due to heat absorption.

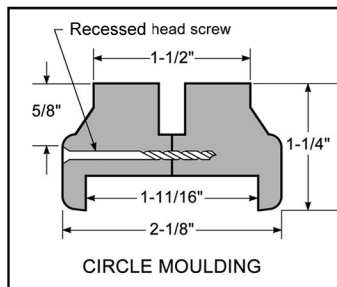
Please call for price quotes.

*Dimensions are noted as width by height.*



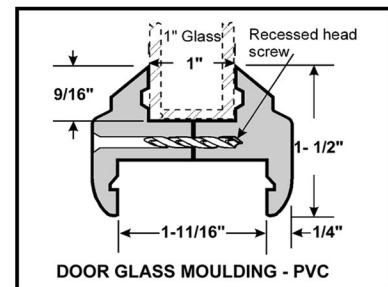
## Circle Lites

### Wood Circles



- Available is Alder or Red Oak.
- 18" and 12" diameters.
- Door cut out is 1-1/4" larger than glass/order size for wood.
- Available with 1/8" tempered or 1/2" insulated glass.
- Stock door thickness 1-3/4".
- Door thickness of 1-3/8" available with upcharge of \$15 - wood lites only.

### PVC Circles



- White PVC - smooth texture.
- 13" diameter.
- Door cut out is 1" larger than glass/order size for PVC.
- 1" insulated glass only.
- Only available for door thickness of 1-3/4".

## Lites with Internal Blinds

• Raise • Lower • Tilt •

Available in White Frame

- Single Hand Operation  
Raise/Lower and Tilt with ease.
- Cordless Blinds  
Safe for children and pets.
- Virtually Maintenance Free  
Blinds are sealed between panes of glass so no dust can collect on them.
- Light and Privacy  
Edges are covered to give complete light and privacy control.
- Tan stainable frame available by special order - call for quote.
- OSM is 1-7/8" over glass/order size.
- White metal slats.
- Screw-hole plugs included.
- Made in the U.S.A.



### Vinyl/Co-Polymer Frame Finishing Instructions:

Paint within 45 days of installation using only an exterior grade light-colored acrylic latex paint. Stainmate products accept paint, stain or artists oil. An exterior grade finish coat or sealer must be applied if stained.

**Caution:** Painting this frame a dark color and/or installing behind a storm door can cause heat damage not covered by warranty.

## **Vent Lite Insert**

**White Wood-Grain Finish • Maintenance Free Frames**

- Precision fit to prevent air and water infiltration.
- Ten locking positions.
- Easy to remove half-screen for effortless cleaning.
- Tempered energy efficient insulated glass.
- High heat resistance.
- Won't yellow or warp.
- Screw and plug covers included with unit.
- Designed for 1-3/4" doors only.
- OSM is 1-7/8" over glass size.
- DO NOT PAINT.



*Vent operation detail*

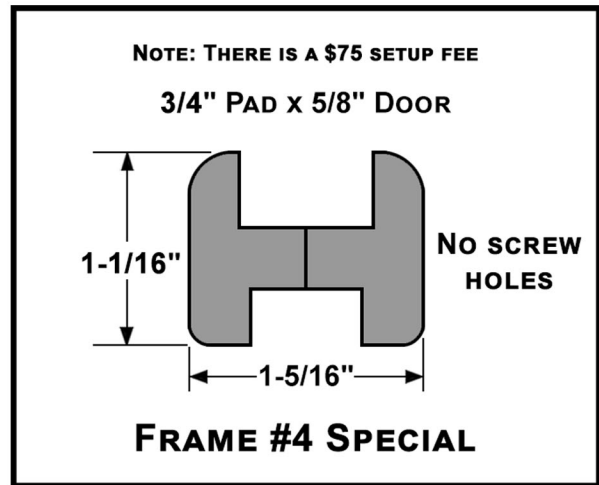
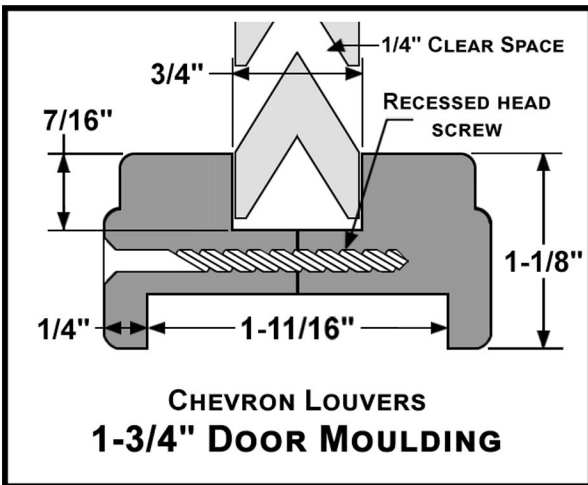
# Chevron Louvers

Made from our finest West Coast Red Alder

- NEW FOR 2022 Specially designed “H-Frame” to accommodate door thicknesses from 5/8" to 1". Developed for bi-fold and cabinet door applications.
- NOTE: There is a \$75 setup fee.
- Available in Poplar, Red Oak, Maple, and Mahogany upon request.
- Provides approximately 35% free airspace.
- See our website for free-airspace calculator.
- Provides visual privacy from both directions.
- All louvers 20" or larger in width will be made with a center vertical mullion bar.
- Door cut out is 1" larger than size ordered.
- Dimensions are noted as width by height.
- Please be sure to indicate door thickness of 1-3/4" or 1-3/8".



*Chevron Louvers have more resistance to air flow than Flat-Slat Louvers.*



# Chevron Flush Louvers

## Flush-Framed Louvers

1-3/4" Door Thickness ONLY.

**NEW:**

## Flush U-Framed Louvers

To accommodate 1-3/8" door thickness with \$75 setup fee.

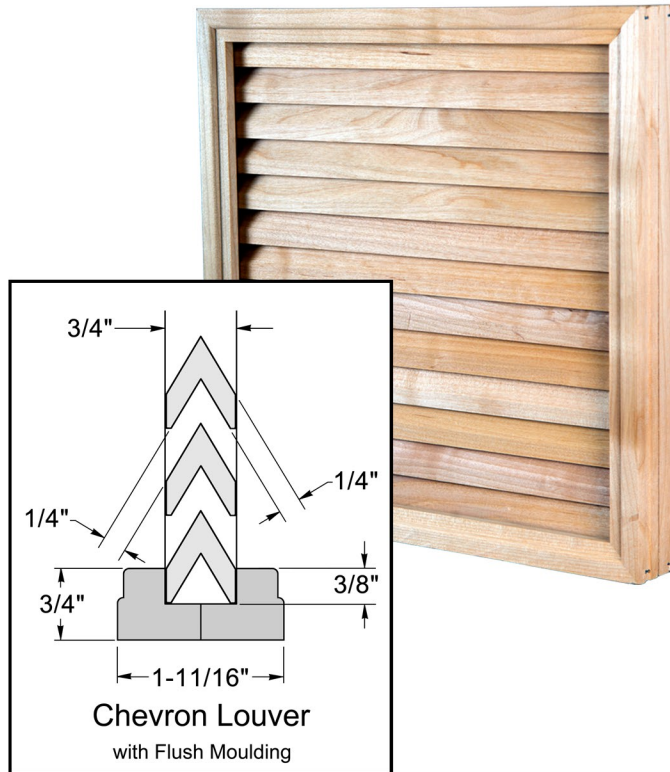
Flush-Framed Louvers are used on larger sizes that require more support than what the pad-only option with quarter-round moulding can provide.

Flush-Framed Louvers will be made to the exact Outside Measurement (OSM) ordered. Do not cut the hole in your door until the frame is received to ensure proper installation.

There are NO SCREW HOLES ON FLUSH-FRAMED LOUVERS.

Any size 20" or over in width will be made with a center vertical bar.

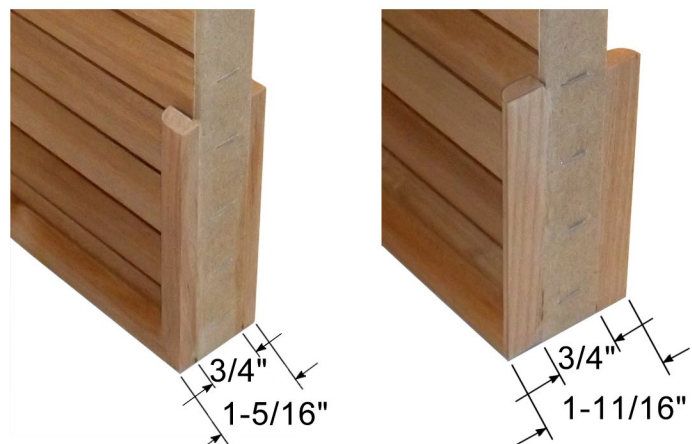
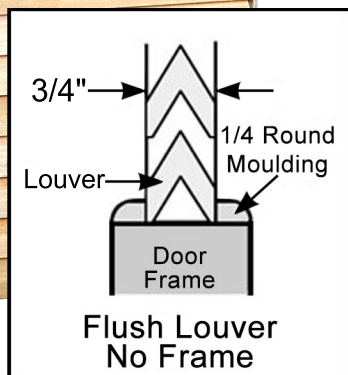
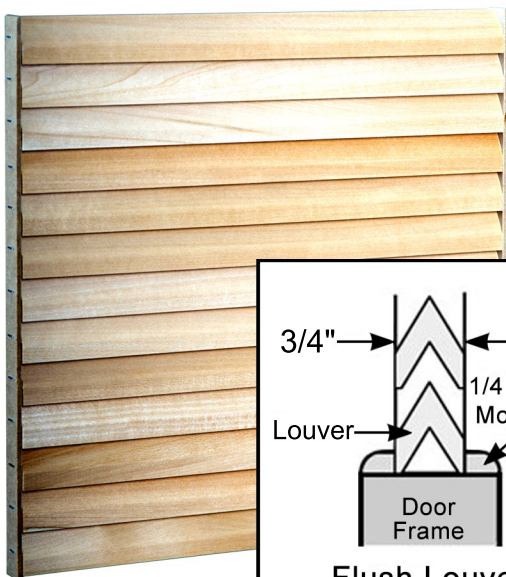
**PER QUOTE REQUESTS.**



## Flush Louver Pads - No Frame

The louver pad only is made to the exact size ordered. Quarter-round moulding is provided for both sides of the pad for installation. The quarter-round moulding measures 1/4" x 3/8" for 1-3/4" doors or 3/8" x 1/4" for 1-3/8" doors.

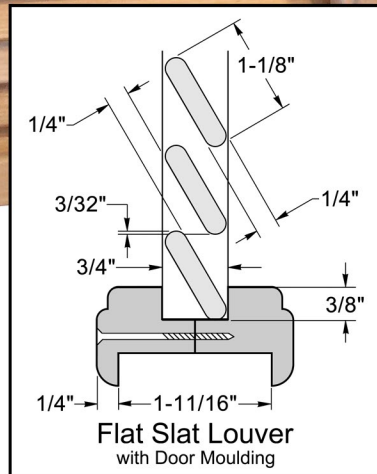
The price is 15% less than regular-framed list price.





## Flat-Slat Louvers

Made from our finest West Coast Red Alder.



- NEW - Specially designed "H-Frame" to accommodate door thicknesses from 5/8" to 1". Developed for bi-fold and cabinetry door (I.T. rooms) applications.  
NOTE: "H Frame" requires \$75 setup fee.
- Available in Poplar, Red Oak, Maple, and Mahogany upon request.
- Provides approximately 50% free airspace.
- Less air flow resistance than Chevron type.
- See our website for free-airspace calculator.
- All louvers over 25" in width will be made with a center vertical mullion.
- Door cut out is 1" larger than size ordered.
- Dimensions are noted as width by height.
- Please be sure to indicate door thickness of 1-3/4" or 1-3/8".
- Custom sizes available upon request.

## Flush Louver Pads - No Frame

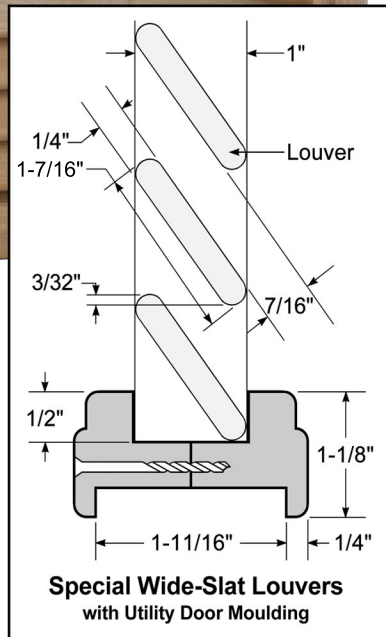
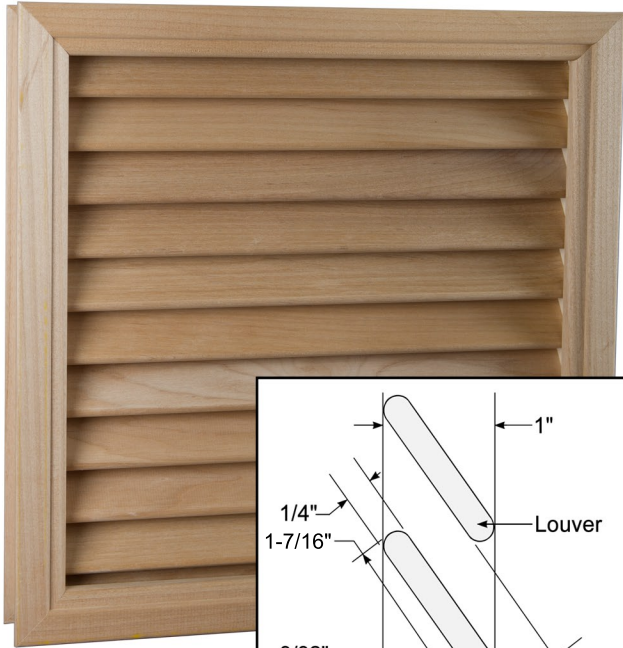
The louver pad only is made to the exact size ordered. Quarter-round moulding is provided for both sides of the pad for installation. The quarter-round moulding measures 1/4" x 3/8" for 1-3/4" doors or 3/8" x 1/4" for 1-3/8" doors.

The price is 15% less than regular-framed list price.



## Special Wide-Slat Louvers

Made from our finest West Coast Red Alder



- Approximately 60% free airspace.
- Less air flow resistance than both the Chevron and Flat-Slat type louver.
- Available in 1-3/4" door thickness only.
- Hole in door is 1" larger than order size.
- All louvers over 25" in width will be made with a center vertical mullion.
- Optional insect screen made from standard fiberglass window screen is available.
- Dimensions noted as width by height.

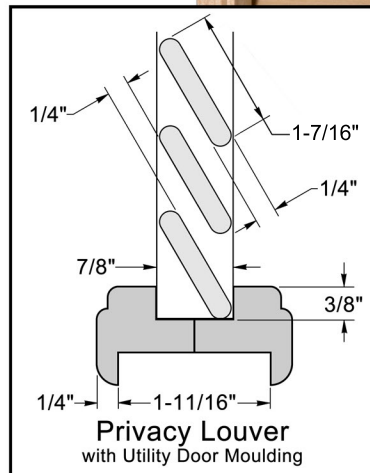
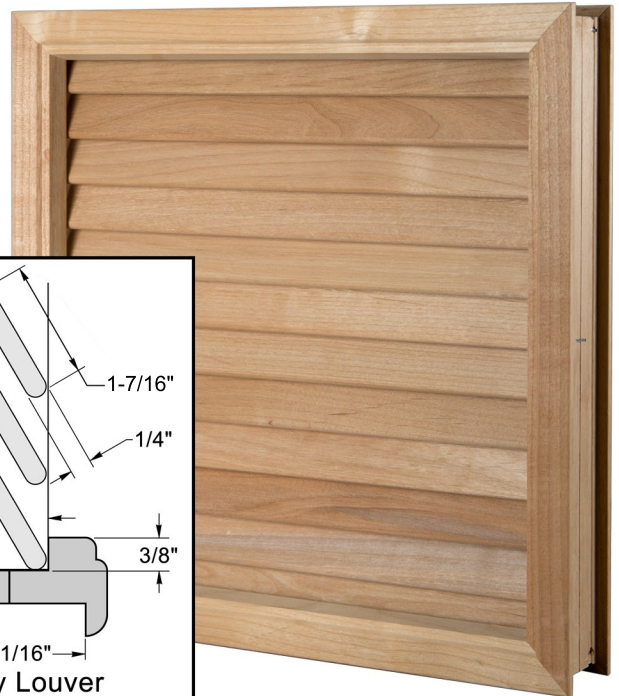
*Angled view to show increased free airspace of the Special Wide-Slat louver (front) when compared to the Regular Flat-Slat Louver (rear).*



## Privacy Louvers

Made from our finest West Coast Red Alder

- Approximately 50% cubic inch free airspace with less resistance than the Chevron type louver.
- Great for use where privacy is needed (i.e. dressing rooms, restrooms, closets, etc.)
- This special Privacy Louver only available for 1-3/4" door thickness.
- All louvers over 25" in width will be made with a center vertical mullion.



**Price quotes upon request.**

- Flush framed moulding available with \$75 setup fee.

## Decorative False Louvers

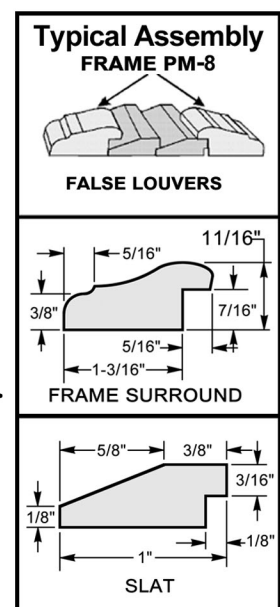
Made from our finest West Coast Red Alder



*No airspace in false-decorative louvers.*

- Fits directly on surface of door.
- Solid wood with a 'Louver Look'.
- Dress up a door to give it the appearance of a louvered door.
- May be applied to door with glue or screws.
- Dimension noted as width by height.
- Size ordered will be the exact outside measurement.

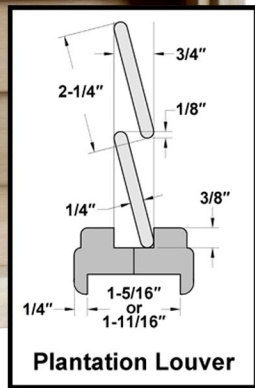
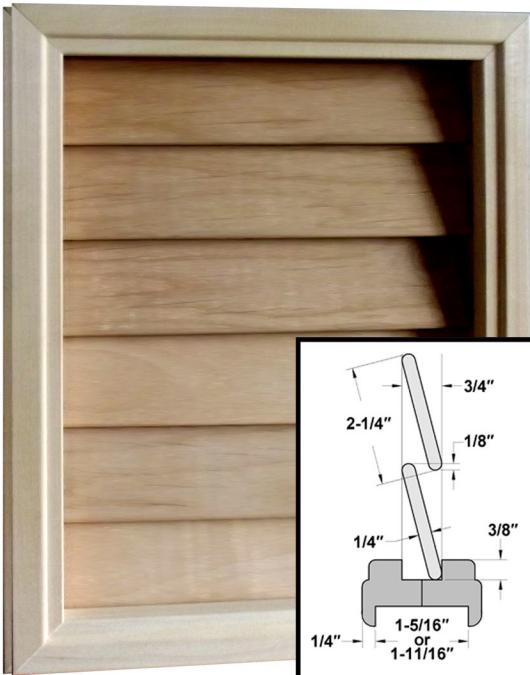
**Price quotes upon request.**



## Introducing New Louver Styles

### Plantation Louver

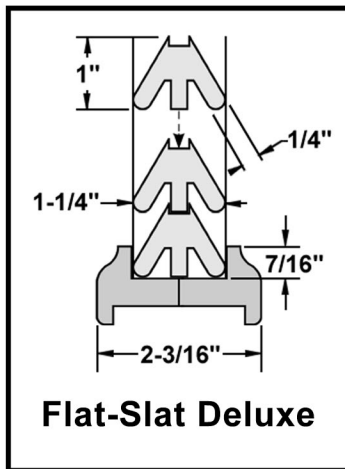
Made from our finest West Coast Red Alder



- Our newly created Plantation Style Louvers offer a contemporary look with 2" visible slats.
- Plantation Louvers provide up to approximately 60% cubic free airspace.
- Hole in door is 1" larger than order size.
- All louvers over 25" in width will be made with a center vertical mullion.
- Plantation Style Louvers are available for both 1-3/8" and 1-3/4" door thickness.
- Standard Profiling Moulding.
- 3/4" side rails with special angle for privacy.

### Flat-Slat Deluxe Louver

Made from our finest West Coast Red Alder



- Flat-Slat Deluxe Louvers are popular in tropical regions and offer an appealing flat slat louver look on the interior as well as the exterior of the louver insert.
- The Architectural design of the Flat-Slat Deluxe Louver creates a sound proof - sight proof louver.
- Hole in door is 1" larger than order size.
- Flat-Slat Deluxe Louvers are only available for 1-3/4" door thickness.

# Plant Mouldings

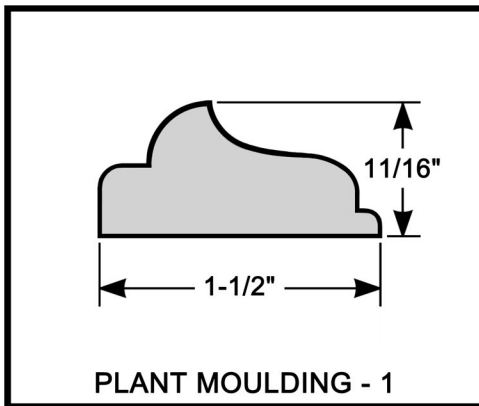
## Profile Diagrams

Plants and Overlays are shipped assembled.  
Orders are made to exact outside measurement (OSM).  
Not sold by the linear foot.

**Call for Price Quotes**

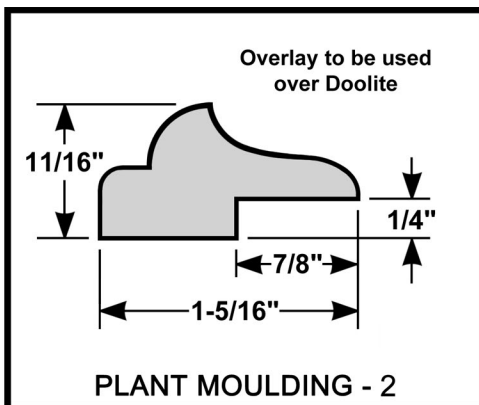
### Plant Moulding 1

- West Coast Red Alder or Oak



### Plant Moulding 2

- West Coast Red Alder



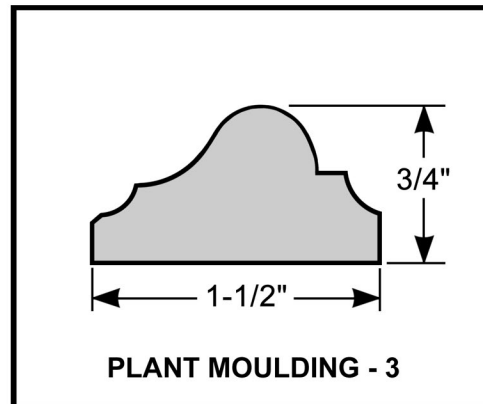
## Plant Mouldings Profile Diagrams

Plants and Overlays are shipped assembled.  
Orders are made to exact outside measurement (OSM).  
Not sold by the linear foot.

**Call for Price Quotes**

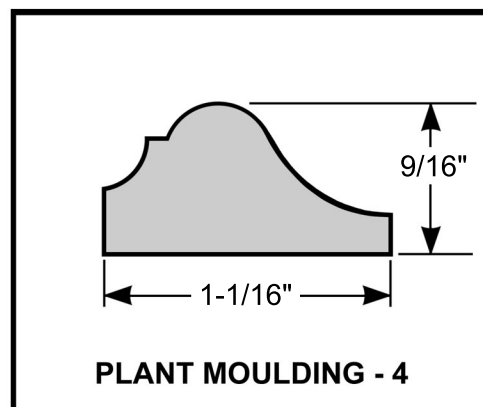
### Plant Moulding 3

- West Coast Red Alder or Oak



### Plant Moulding 4

- West Coast Red Alder or Oak



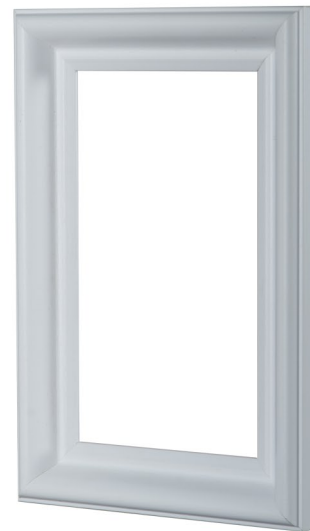
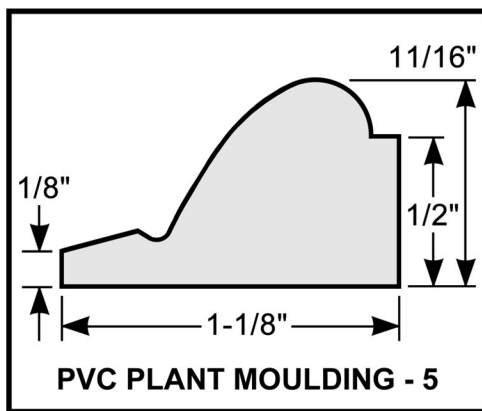
## Plant Mouldings Profile Diagrams

Plants and Overlays are shipped assembled.  
Orders are made to exact outside measurement (OSM).  
Not sold by the linear foot.

### Call for Price Quotes

#### Plant Moulding 5

- Only available in PVC.

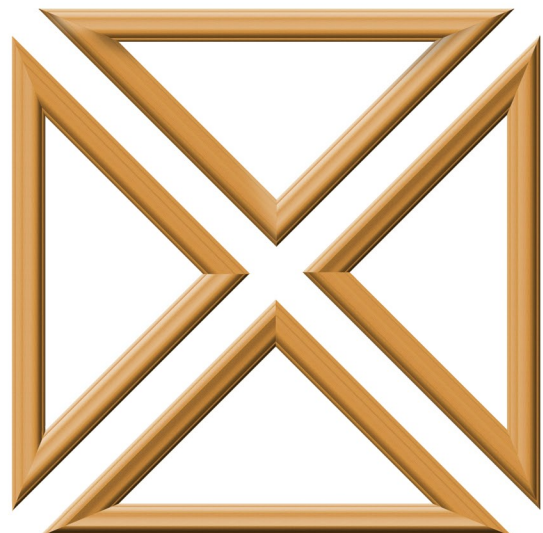


## Crossbucks

- Constructed using Plant Moulding #1 only.  
(See page 33.)
- Completely assembled!
- Sold as a set of four.
- Available in two sizes.

14"x14"x20"

11"x11"x16"

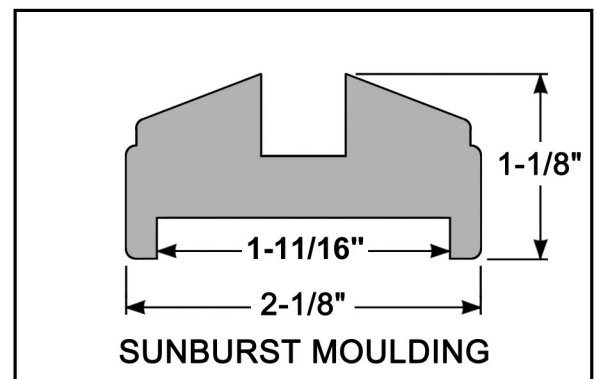


## Sunburst Lite

Made from our finest West Coast Red Alder or Red Oak



- Only available for door thickness of 1-3/4".
- Outside measurement (OSM): 22-1/4" x 10-7/8"
- Cut out size: 21-7/8" x 10-3/8" with a radius of 10-15/16"
- Available as Single Lite or 4 Lite (shown).





## Inspirational Doorlites

Available in West Coast Red Alder or Red Oak

### DSG-16 - Chapel 2



Clear Glue Chip Field and  
Center Diamond with  
Black Patina Foil

### DSG18 - Sanctuary



Dark Mauve Waterglass Field  
Clear Glue Chip Center Diamond  
with Black Patina Foil

Note: Cross Lites are NOT insulated.

More color choices available.  
See our website for sample colors.

## Custom Mill Work

We can create nearly any custom piece for your design.  
Here are a few custom design we have produced.

### Circle Louvers

- Cut out will be 1-1/4" larger than order size.
- We recommend waiting to cut the hole in doors until the frame is received.



### Arch-Top Louvers

Another interesting louver design.  
This could have many applications.

### Inspirational and Custom Grilles

Custom doorlite grilles can add an  
extra elegance to any window or door.

Have an idea?  
Let us know how  
we can help you  
bring it to life.

